

FL-48 Series

ELCAST
LIGHTING



ELCASTLTG@ELCASTLTG.COM

815 S Kay Avenue Addison
IL, 60101 USA

P 630 543 5390

F 630 543 5392

FL-48 SERIES

Catalog Number	
Project/Location	Type
Approved By	

LED FLOODLIGHT

HOUSING

Heavy-duty, corrosion resistant, precision die-cast aluminum. Separate die-cast aluminum driver housing.

LENS

Clear, tempered, flat glass. Secures to housing with die-cast lens frame using stainless steel hardware.

Beam Spread: 6H x 5V

LEDs

48 Each 1W LEDs
85 LM/W=White LEDs
*optional RGB color changing LEDs

DRIVER

120-240V solid-state, universal voltage driver.

MOUNTING

Adjustable aluminum yoke bracket shall secure to housing with stainless steel hardware.

FINISH

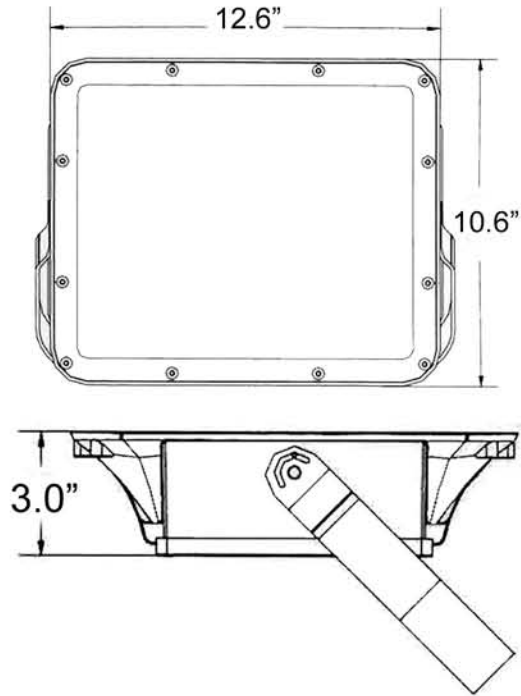
Natural aluminum is standard. Other colors are optional. Polyester powder coat finish on zinc based primer. Available in matte black (MB), matte bronze (BZ), matte white (MW), silver gray (SG), or custom color (CC).

OPTIONS

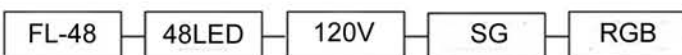
RGB color changing LEDs
DMX color changing controller
DIM dimmable driver

Suitable for wet location.
Conforms to UL Standard 1598. IP-65 Rated.

Series	Lamp	Wattage/MAX
FL-48	LED	48W



Ordering Example



Specifications are subject to change without notice. Consult factory for verification.

ELCAST LIGHTING

815 S KAY AVE ADDISON, IL 60101 USA
630.543.5390 • FAX: 630.543.5392
elcastltg@elcastltg.com • www.elcastltg.com