

BRF-42 Series

ELCAST
LIGHTING



ELCASTLTG@ELCASTLTG.COM

815 S Kay Avenue Addison
IL, 60101 USA

P 630 543 5390
F 630 543 5392

BRF-42 SERIES

Catalog Number	
Project/Location	Type
Approved By	

LED, HID, CFL ARCHITECTURAL BOLLARD

HOUSING

Constructed from one-piece, extruded aluminum tubing. Heavy-duty, corrosion resistant die-cast aluminum flat top cap.

GASKET

Closed cell silicone foam gasket. Seals out moisture, dust, and insects for weather-tight operation.

LENS/DISTRIBUTION

1/8" thick, UV stabilized, polycarbonate lens. Six internal specular louvers provide Type V symmetrical distribution.

BALLASTS

- CF: electronic, thermally protected high power factor 120/277
- HID: electronic, thermally protected high power factor 120/277 or magnetic core and coil
- LED: solid state electronic driver

SOCKET

- CF: four pin plug in type
- HID: G12 Bi-pin 4KV pulse rated or 4KV pulse rated nickel plated shell medium base

MOUNTING

8" diameter cast base plate. Secures with three 3/8"x6" galvanized anchor bolts.

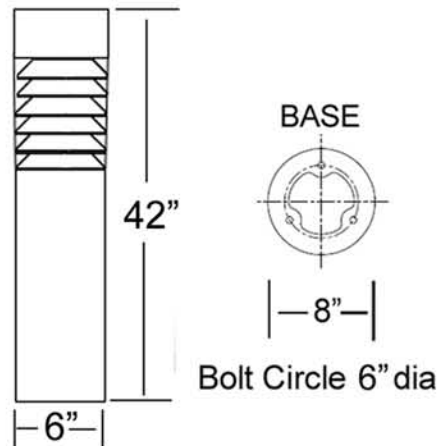
FINISH/COLORS

Polyester powder coat finish available in matte Black (MB), matte bronze (BZ), matte white (MW), silver gray (SG), or custom color (CC).

OPTIONS

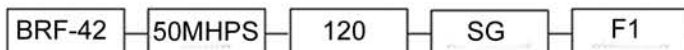
- F1 single fuse
- PCB photo control button
- HSS house side shield
- ETI emergency ballast integral (CFL only)
- MS motion sensor
- IBLS integral bi-level motion sensor
- GFI receptacle

Suitable for wet location. Conforms to UL Standard 1598.



Series	Lamp	Wattage/Max
BR-42	PLT	42W
	HPS	50W
	PSMH	50W
	LED	24W (high power)

Ordering Example



Specifications are subject to change without notice. Consult factory for verification.

ELCAST LIGHTING

815 S KAY AVE ADDISON, IL 60101 USA
630.543.5390 • FAX: 630.543.5392
elcastltg@elcastltg.com • www.elcastltg.com