

6000 Series

ELCAST
LIGHTING





6000 Series

Catalog Number	
Project/Location	Type
Approved By	

LED, HID, CFL ARCHITECTURAL WALL MOUNT

HOUSING

Heavy-gauge, seam welded, formed aluminum housing.

LENS

Tempered 1/8" thick impact resistant glass. Lens shall be clear, retained to housing with tamper resistant, stainless steel hardware.

GASKET

Closed cell silicone foam gasket. Seals out moisture, dust, and insects for weather-tight operation.

OPTICAL/REFLECTOR

Formed, one-piece specular aluminum, providing three distributions: FT (forward throw), MT (medium throw), and WT (wide throw).

BALLAST

- CF: electronic, thermally protected high power factor
- HID: electronic, thermally protected or magnetic
- LED: solid state electronic driver

SOCKET

- CF: four pin plug in type
- HID: 4KV pulse rated nickel plated shell medium base



MOUNTING

Direct to wall with supplied quick mount plate.

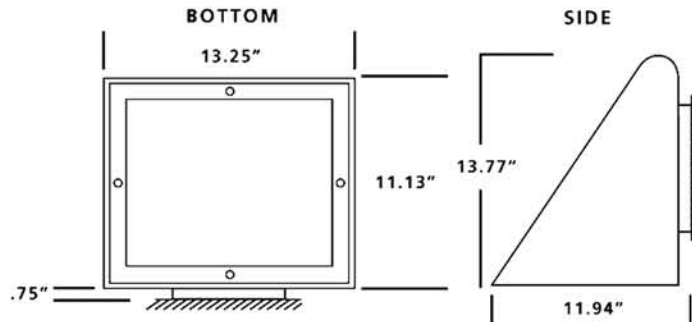
FINISH/COLOR

Polyester powder coat over zinc based primer. Available in matte black (MB), matte bronze (BZ), matte white (MW), silver gray (SG), or custom color(CC).

OPTIONS

- F1 single fuse
- QRS quartz re-strike
- PC photo cell
- ETI emergency ballast integral (CFL)
- ETR emergency ballast remote (CFL)
- ETBP extreme temperature battery back
- PVS polycarbonate vandal shield
- SO segmented optics

Suitable for wet location.
Conforms to UL Standard 1598.



Series	Lamp	Wattage / MAX
6000	PLT	2/42W
	HPS	150W
	PSMH	175W
	LED	28W

Ordering Example

6000-100MH-120-SG-TP

Specifications are subject to change without notice. Consult factory for verification.

ELCAST LIGHTING

815 S KAY AVE ADDISON, IL 60101 USA
630.543.5390 • FAX: 630.543.5392
elcastlgtg@elcastlgtg.com • www.elcastlgtg.com