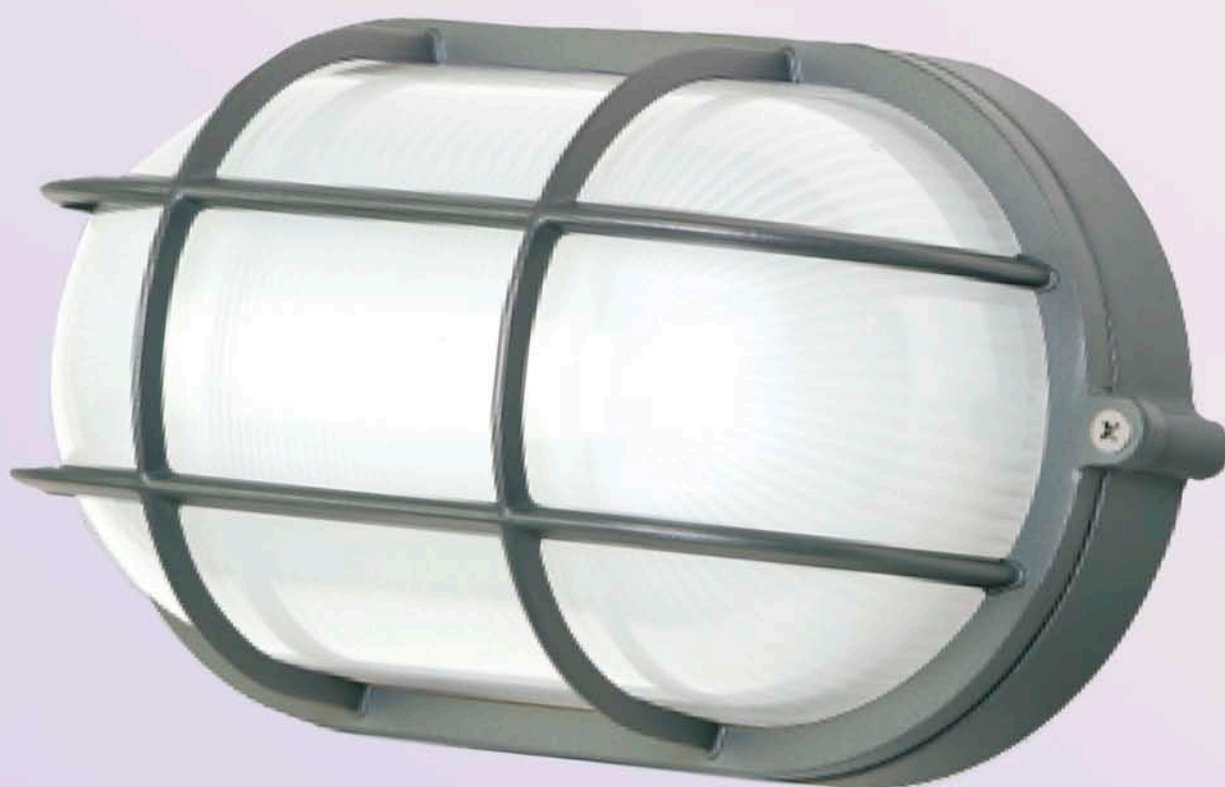


300 Series

ELCAST
LIGHTING



ELCASTLTG@ELCASTLTG.COM

815 S Kay Avenue Addison
IL, 60101 USA

P 630 543 5390
F 630 543 5392

| | |
|------------------|------|
| Catalog Number | |
| Project/Location | Type |
| Approved By | |

300 SERIES

LED, CFL ARCHITECTURAL WALL/CEILING MOUNT BULK HEAD

HOUSING

Heavy-duty, corrosion resistant die-cast aluminum housing and die-cast frames. See below for die-cast frame option.

LENS

One-piece, molded frosted glass. Lens shall be retained to fixture housing using tamper resistant stainless steel fasteners.

GASKET

Closed cell silicone foam gasket. Seals out moisture, dust, and insects for weather-tight operation.

BALLAST

CF: electronic, thermally protected high power factor
 LED: solid state electronic driver

SOCKET

CF: four pin plug-in type

MOUNTING

Surface wall or ceiling mount over standard J-box.

FINISH/COLOR

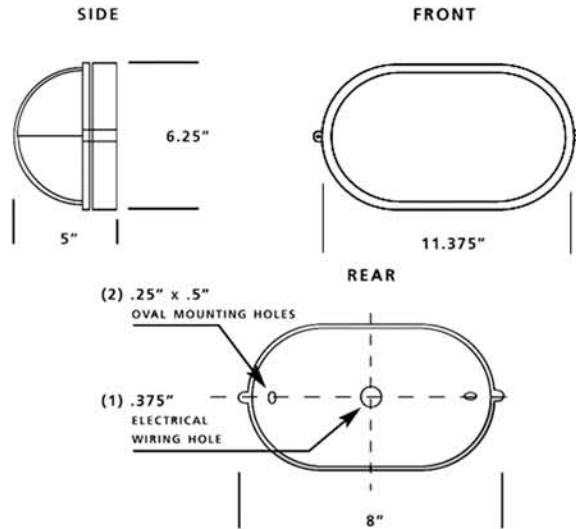
Polyester powder coat over zinc based primer. Available in matte black (MB), matte bronze (BZ), matte white (MW), silver gray (SG), or custom color (CC).

OPTIONS

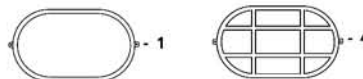
F1 single fuse
 ETR emergency ballast remote (CFL only)
 LED-ETR emergency ballast remote (LED only)

ETL listed suitable for wet location.
 Conforms to UL Standard 1598.

| Series | Lamp | Wattage/MAX |
|--------|------------|-------------|
| 300 | PLT LED | 26W 9W |



FRAME OPTIONS



Ordering Example



Specifications are subject to change without notice. Consult factory for verification.