

2200 Series

ELCAST
LIGHTING



2200 SERIES

Catalog Number	
Project/Location	Type
Approved By	

UP/DOWN WALL MOUNT

HOUSING

Heavy duty full die cast aluminum.
Stainless steel external hardware.

LENS & GASKETING

One piece molded, tempered 1/8 thick glass lens. Closed cell silicone foam gasket seals out moisture and dust for weather-tight operation.

BALLAST

HPS= magnetic reactor
MH= electronic, thermally protected 120/277
CFL= four pin electronic

SOCKET

HID: 4KV spring loaded porcelain med. base
CFL: four pin plug-in

FINISH/COLOR

Polyester powder coat over zinc based primer. Available in matte black (MB), matte bronze (BZ), matte white (MW), silver gray (SG), or custom color(CC).

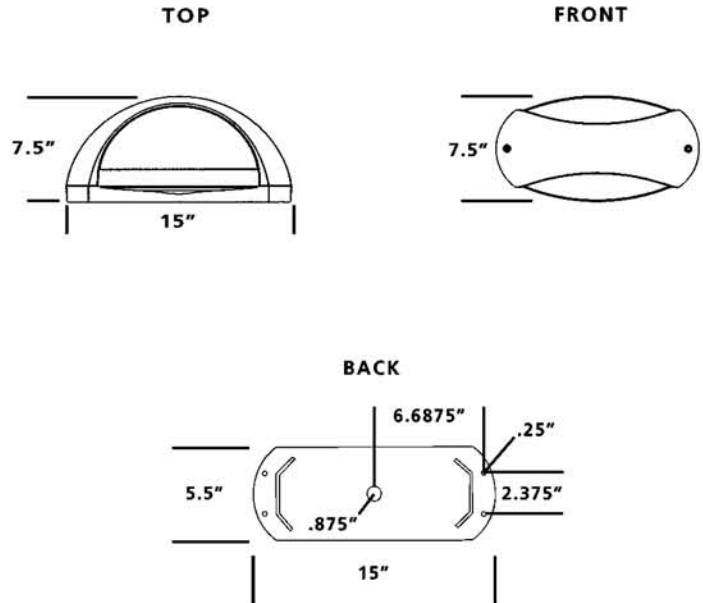
OPTIONS

F1 single fuse
TP tamper proof
QRS quartz re-strike
ETR emergency ballast remote only (CFL)

Suitable for wet location.
Conforms to UL Standard 1598.



Series	Lamp	Wattage/MAX
2200	PLC	42W
	HPS	100W
	MH	100W



Ordering Example

2200-100MH-120-MB-QRS

Specifications are subject to change without notice. Consult factory for verification.

ELCAST LIGHTING

815 S KAY AVE ADDISON, IL 60101 USA
630.543.5390 • FAX: 630.543.5392

elcastltg@elcastltg.com • www.elcastltg.com