

1906 Series

ELCAST
LIGHTING



ELCASTLTG@ELCASTLTG.COM

815 S Kay Avenue Addison
IL, 60101 USA

P 630 543 5390
F 630 543 5392

| | |
|------------------|------|
| Catalog Number | |
| Project/Location | Type |
| Approved By | |

1906 WALL MOUNT LUMINAIRE

LED, HID & COMPACT FLOURESCENT SERIES

APPLICATION

Wall mount luminaire for exterior and interior use (for interior use, contact factory).
Designed for commercial and residential application where performance, flexibility, and elegance are required.

HOUSING

Heavy duty die cast aluminum housing.
Separate aluminum ballast box.
Stainless steel external hardware.

LENS & GASKETING

Flat tempered 1/8 thick opal glass with closed cell silicone foam gasket. High temperature resistant, seals out moisture and dust.

BALLAST

Electronic, thermally protected 120/277*.
*Other voltages call factory.

SOCKET

HID G 12 BI-PIN, 4KV pulse rated
CF four pin plug in type

MOUNTING

"Quick mount" for easy mounting over standard J-box.

DISTRIBUTION

Please choose from chart for desired beam.

FINISH/COLOR

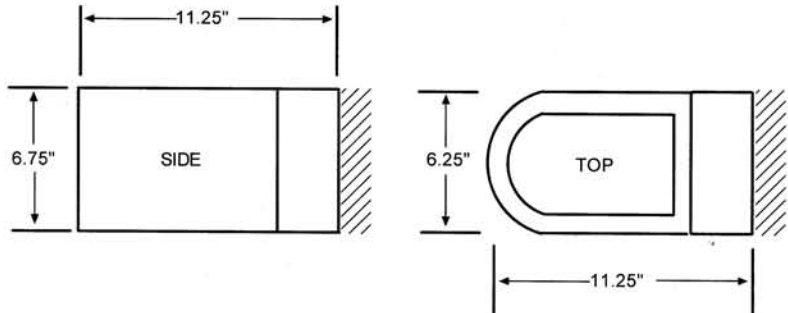
Polyester powder coat over zinc based primer.
Matte black (MB), matte bronze (BZ), matte white (MW), silver gray (SG), or custom color (CC).

OPTIONS

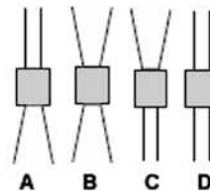
- D down only
- UD up and down
- U up only
- F1 single fuse
- PM square pole mount adapter
- DB dimming ballast (CFL Only)
- ETR emergency ballast Remote only (CFL)

Suitable for wet location.
Conforms to UL Standard 1598.

| Series | Lamp | Wattage/MAX |
|--------|--------|-------------------|
| 1906 | INC-T4 | 75W |
| | MH/T6 | 70W |
| | PLT | 26W |
| | LED | 16W (8 UP/8 Down) |



BEAM PATTERNS



Ordering Example

1906 UD B 70MH 120V SG ETR

Specifications are subject to change without notice. Consult factory for verification.

ELCASTLIGHTING

815 S KAY AVE ADDISON, IL 60101 USA
630.543.5390 • FAX: 630.543.5392
elcastltg@elcastltg.com • www.elcastltg.com