

1300 Series

ELCAST
LIGHTING



ELCASTLTG@ELCASTLTG.COM

815 S Kay Avenue Addison
IL, 60101 USA

P 630 543 5390
F 630 543 5392

Catalog Number	
Project/Location	Type
Approved By	

1300 Series

LED MINI ROUND SURFACE WALL OR CEILING INDOOR/OUTDOOR

HOUSING

Heavy-duty, corrosion resistant die cast aluminum.

LENS

Acrylic lens standard. Die-cast lens frame shall secure to housing using 3 stainless steel, tamper proof screws.

GASKET

Closed cell silicone foam gasket seals out moisture, dust, and insects for weather-tight operation.

BALLAST

Integral solid state electronic driver (120V only).

LEDs

3 high power Lumi-LED 1W LEDs.

MOUNTING

Surface wall or ceiling.

FINISH/COLOR

Polyester powder coat over zinc based primer. Available in matte black (MB), matte bronze (BZ), matte white (MW), silver gray (SG), or custom color(CC).

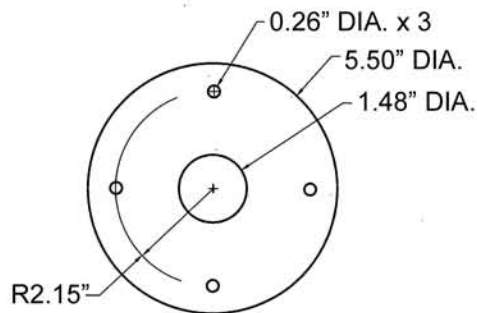
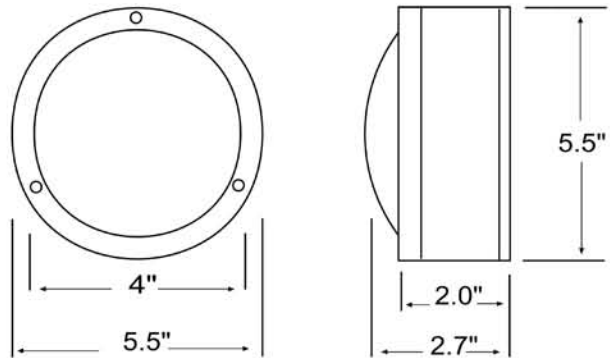


OPTIONS

- B blue LEDs
- A amber LEDs
- R red LEDs
- G green LEDs
- AL acrylic lens

Suitable for wet location.
Conforms to UL Standard 1598.

Series	Lamp	Wattage
1300	LED	3W MAX



Ordering Example



ELCASTLIGHTING

815 S KAY AVE ADDISON, IL 60101 USA
630.543.5390 • FAX: 630.543.5392
elcastltg@elcastltg.com • www.elcastltg.com