

1236 Series

ELCAST
LIGHTING



ELCASTLTG@ELCASTLTG.COM

815 S Kay Avenue Addison
IL, 60101 USA

P 630 543 5390
F 630 543 5392

1236 SERIES

Catalog Number	
Project/Location	Type
Approved By	

LED, CFL, HID LARGE STEPLIGHT

HOUSING

Heavy-duty, corrosion resistant die-cast aluminum. Die-cast aluminum faceplate shall be secured to housing with stainless steel hardware. See faceplate options below.

GASKET

Closed cell silicone foam gasket seals out moisture, dust, and insects for weather-tight operation.

LENS

1/8" thick tempered, diffused glass lens or impact resistant, UV stabilized polycarbonate.

BALLAST

- CF: electronic, thermally protected high power factor 120/277
- HID: electronic, thermally protected, high power factor 120/277 or magnetic core and coil
- LED: solid state electronic constant current driver

SOCKET

- CF: four pin plug in type
- HID: 4KV pulse rated, nickel plated shell, medium base

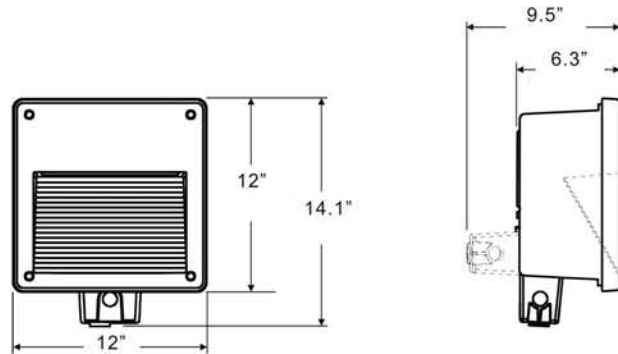
FINISH/COLOR

Polyester powder coat over zinc based primer. Available in matte black (MB), matte bronze (BZ), matte white (MW), silver gray (SG), or custom color (CC).

OPTIONS

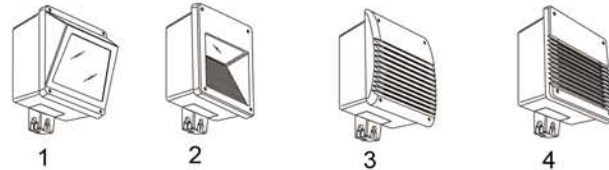
- PL polycarbonate lens
- PCB photo cell button
- ETR emergency ballast remote

Suitable for wet location.
Conforms to UL Standard 1598.

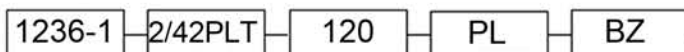


Series	Lamp	Wattage/MAX
1236	PLC	2/42W
	HPS	100W
	PSMH	100W
	LED	28W

FACE PLATE OPTIONS



Ordering Example



Specifications are subject to change without notice. Consult factory for verification.

ELCAST LIGHTING

815 S KAY AVE ADDISON, IL 60101 USA
630.543.5390 • FAX: 630.543.5392
elcastltg@elcastltg.com • www.elcastltg.com