

1040 Series

ELCAST
LIGHTING



ELCASTLTG@ELCASTLTG.COM

815 S Kay Avenue Addison
IL, 60101 USA

P 630 543 5390
F 630 543 5392

1040 SERIES

INDUCTION, LED, HID, CFL ARCHITECTURAL ACORN POST TOP

Catalog Number	
Project/Location	Type
Approved By	

APPLICATION

Shopping malls, city streetscape, schools, parks.

HOUSING

Heavy-gauge, corrosion resistant, precision die-cast aluminum cage and finial. Fitter hinges to allow for easy access to lamp and ballast compartment. All hardware shall be stainless steel.

GASKET

Closed, cell-silicone foam gasket. Seals out moisture, dust, and insects for weather-tight operation.

GLOBE

Prismatic polycarbonate refracting globe, producing Type V distribution.

BALLAST

- CF: electronic, thermally protected high power factor
- HID: electronic, thermally protected or magnetic
- IND: electronic power generator

All components shall be mounted to removable gear tray.

SOCKET

- CF: four pin plug-in type
- HID: 4KV pulse rated nickel plated shell medium base or 4KV pulse rated G12 BI-PIN

MOUNTING

Slips over 3" OD pole top or tenon. Secured with six stainless steel set screws.

FINISH/COLOR

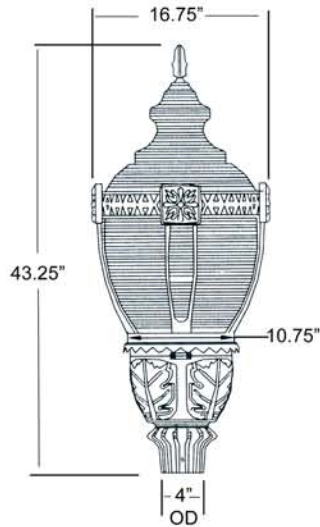
Polyester powder coat over zinc based primer. Available in matte black (MB), matte bronze (BZ), matte white (MW), silver gray (SG), or custom color (CC).

OPTIONS

- F1 single fuse
- ETR emergency ballast remote only (CFL)
- HSS house side shield (internal)
- CT cast top

Suitable for wet location.
Conforms to UL Standard 1598.

Series	Lamp	Wattage/MAX
1040	PLT	57W
	HPS	150W
	PSMH	150W
	LED	50W
	IND	85W (lamp included) 100,000 HR Life



Ordering Example

1040 150MHPS 120 MB F1

Specifications are subject to change without notice. Consult factory for verification.

ELCASTLIGHTING

815 S KAY AVE ADDISON, IL 60101 USA
630.543.5390 • FAX: 630.543.5392
elcastlltq@elcastlltq.com • www.elcastlltq.com