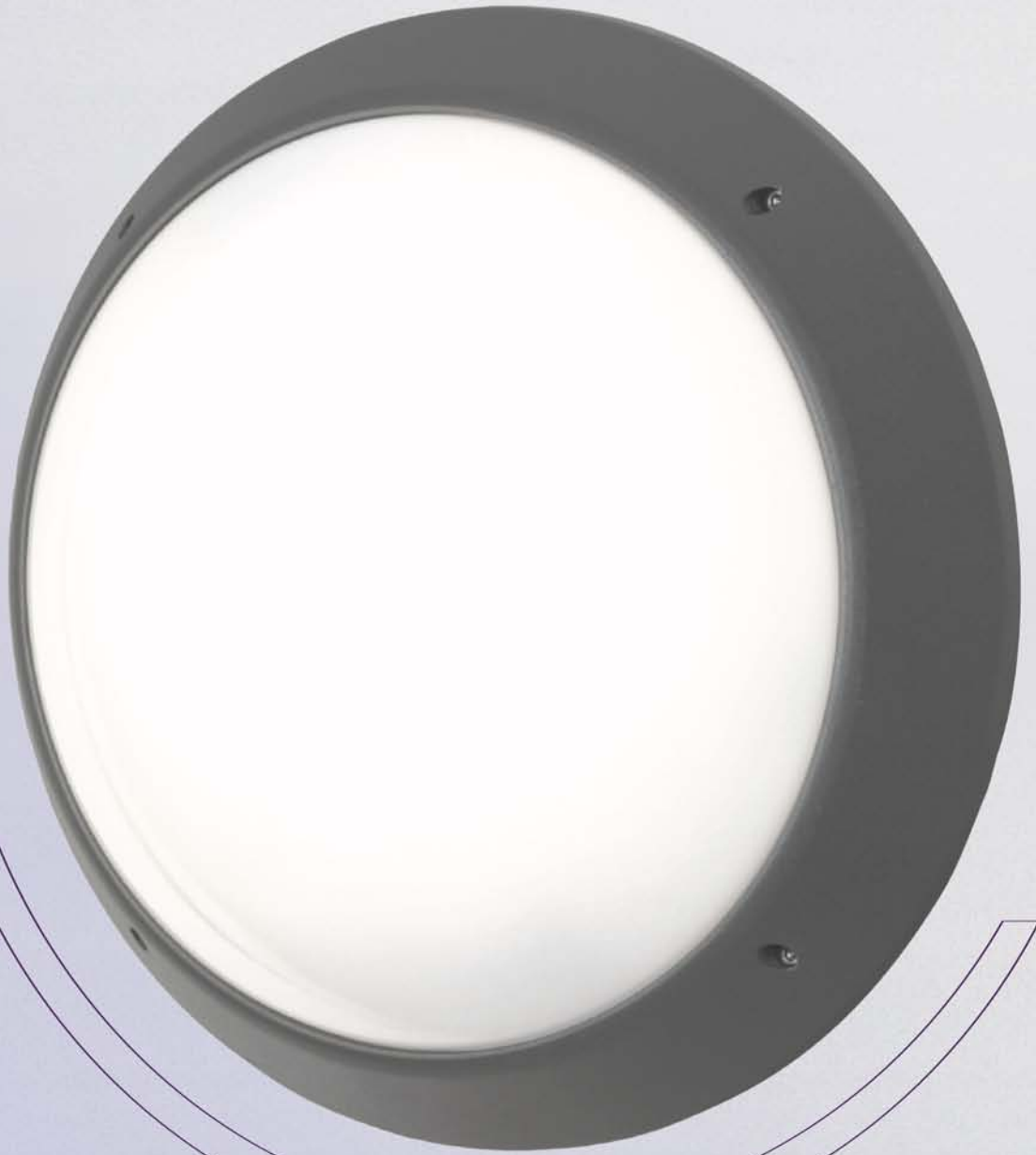


1000 Series

ELCAST
LIGHTING





1000 SERIES

Catalog Number	
Project/Location	Type
Approved By	

LED, CFL ARCHITECTURAL WALL/CEILING MOUNT

HOUSING

Heavy-duty, corrosion resistant die-cast aluminum housing, and die cast lens frame.

GASKET

Closed cell, silicone foam gasket. Seals out dust, moisture, and insects for weather-tight operation.

LENS

One piece, molded opal white, impact resistant UV-stabilized polycarbonate. Lens shall be retained to fixture housing using tamper resistant, stainless steel fasteners.

BALLAST

CF: electronic, thermally protected high power factor
LED: solid state electronic driver

SOCKET

CF: four pin plug-in type

MOUNTING

Surface wall or ceiling mount over standard J-box.

FINISH/COLOR

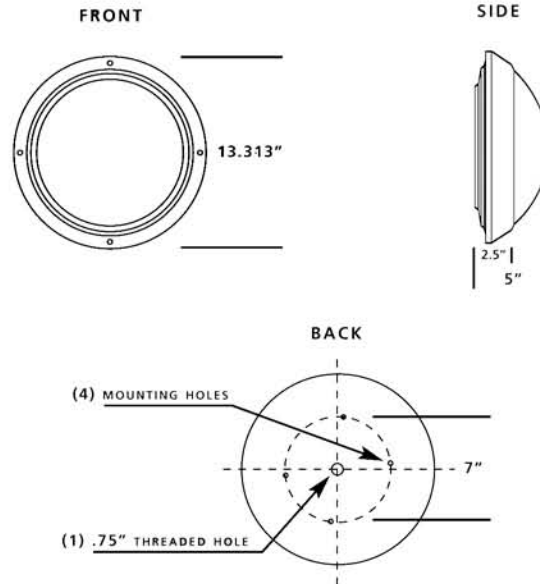
Polyester powder coat over zinc based primer. Available in matte black (MB), matte bronze (BZ), matte white (MW), silver gray (SG), or custom color (CC).

OPTIONS

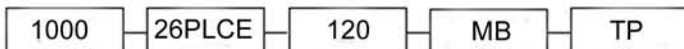
F1 single fuse
ETR emergency ballast remote only (CFL)
LED/ETR emergency ballast remote (LED only)

ETL listed suitable for wet location. Conforms to UL Standard 1!

Series	Lamp	Wattage/MAX
1000	PLT LED	2/18W 18W



Ordering Example



Specifications are subject to change without notice. Consult factory for verification.

ELCAST LIGHTING

815 S KAY AVE ADDISON, IL 60101 USA
630.543.5390 • FAX: 630.543.5392
elcastltg@elcastltg.com • www.elcastltg.com